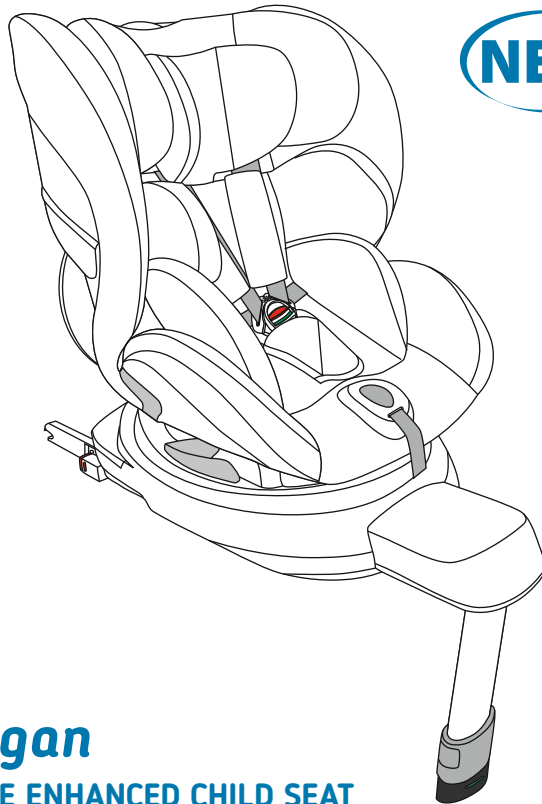




**NEW**



**Megan**  
**i-SIZE ENHANCED CHILD SEAT**  
**ISOFIX 360°**

**STANDARDS ECE R129/02**



Your child's safety depends on you. Proper baby car seat usage cannot be assured unless you follow these instructions.

**DO NOT USE YOUR BABY CAR SEAT UNTILL YOU READ AND UNDERSTAND THESE INSTRUCTIONS**



Η ασφάλεια του παιδιού σας εξαρτάται από εσάς. Η σωστή χρήση του καθίσματος αυτοκινήτου προϋποθέτει την ανάγνωση των οδηγιών χρήσης.

**ΜΗΝ ΧΡΗΣΙΜΟΠΟΙΗΣΕΤΕ ΤΟ ΚΑΘΙΣΜΑ ΑΥΤΟΚΙΝΗΤΟΥ ΑΝ ΠΡΩΤΑ ΔΕΝ ΔΙΑΒΑΣΕΤΕ ΚΑΙ ΚΑΤΑΝΟΗΣΕΤΕ ΠΛΗΡΩΣ ΤΙΣ ΟΔΗΓΙΕΣ ΑΥΤΕΣ**

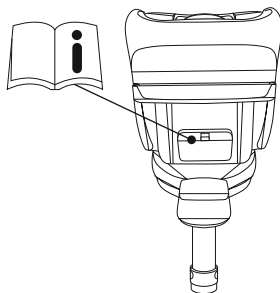


# Important

**IMPORTANT: READ THESE INSTRUCTIONS CAREFULLY  
BEFORE USE AND KEEP FOR FUTURE REFERENCE.**

If these instructions are not followed, the safety  
of a child may be severely endangered.

EN



## NOTICE

1. Notice regarding i-Size category Enhanced Child Restraint Systems
2. This is an i-Size Enhanced Child Restraint System.
3. It is approved according to UN Regulation No. 129, for use in, i-Size compatible vehicle seating positions as indicated by vehicle manufacturers in the vehicle users' manual.
4. If in doubt, consult either the Enhanced Child Restraint System manufacturer or the retailer.

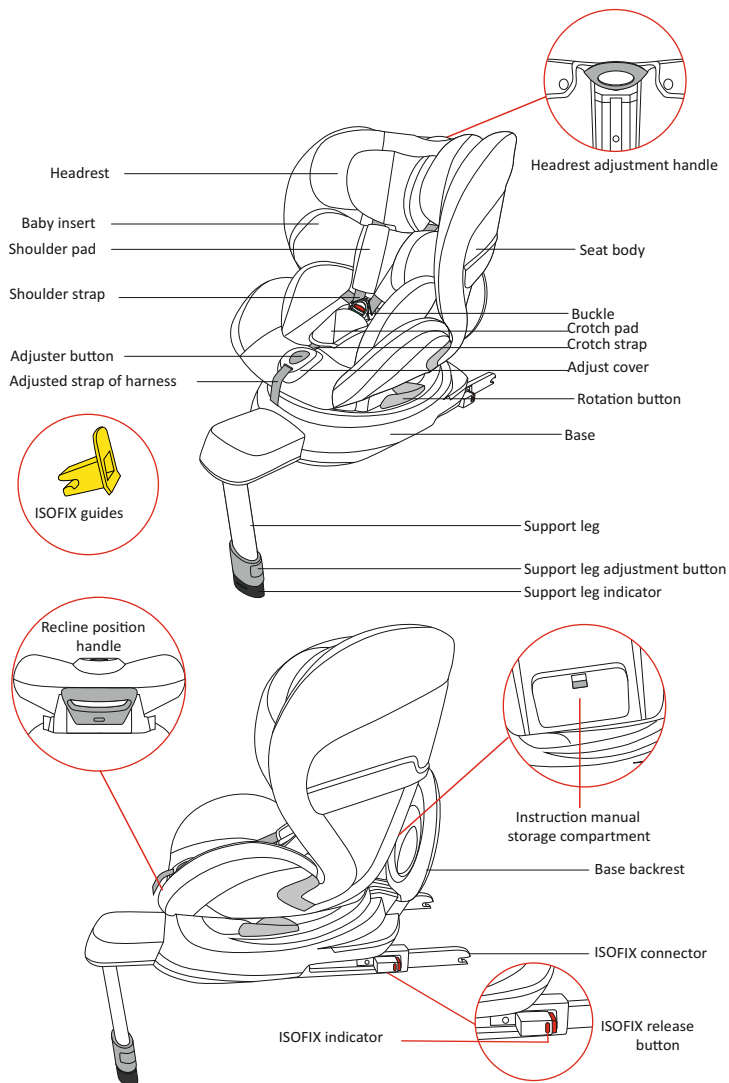
NOT TO USE REARWARD FACING ECRS IN SEATING POSITIONS  
WHERE THERE IS AN ACTIVE FRONTAL AIRBAG INSTALLED.  
IMPORTANT - DO NOT USE FORWARD FACING BEFORE THE  
CHILD'S AGE EXCEEDS 15 months (Refer to instructions).

# Introduction

Seat positions in other cars may also be suitable to accept this child restraint. Please refer to the information documents or the retailer's website for the suitable car model list. If in doubt, consult either the child restraint manufacturer or the retailer any time.

EN

## Know your car seat



# Important

EN

## WARNING

- In order to properly protect your child, please take the time to read the instruction manual and install the enhanced child seat and use it exactly as described in the instruction manual at all times.

- This instruction manual must be retained in hand in the instruction manual storage compartment at the back of the seat body for its life period at all times..

- To use this child seat with the ISOFIX connections according to the ECE R129/02 Regulation, your child must meet the following requirements.

Forward Facing: Child height 76cm-105cm/ Child weight ≤22kg;

Rearward Facing: Child height 40cm-87cm/ Child weight ≤22kg;

"IMPORTANT - DO NOT USE FORWARD FACING BEFORE THE CHILD'S AGE EXCEEDS 15 months (Refer to instructions)".

Keep your child rearward facing as long as possible as rearward facing is the safest position.

**WARNING : DO NOT** use rearward facing child seat in seating positions where an active frontal airbag installed . Death or serious injury can occur.

- Do not use this enhanced child seat in the home. It has not been designed for home use and should only be used in your car.

- Do not leave your child unattended in the enhanced child seat at any time.

- The enhanced child seat should be replaced when it has been subject to violent stresses in an accident.

- For the reason of safety, the enhanced child seat must be fixed inside the vehicle even if you do not put your child inside the enhanced child seat.

- Always make sure that any straps holding the restraint to the vehicle are tight, any support-leg is in contact with the vehicle floor, any straps or impact shields restraining the child are adjusted to the child's body, and check that the straps shall not be twisted.

- Ensuring that any lap straps is worn low down , so that the pelvis is firmly engaged, shall be stressed.

- Do not use any load bearing contact points other than those described in the instruction manual and marked in the child restraint.

- Any luggage or other objects liable to cause injuries in the event of a collision shall be properly secured.

- The rigid items and plastic parts of this enhanced child seat must be placed and installed properly to prevent conflicts with moveable seats or doors of the vehicle.

## WARNING

EN

- To prevent the risk of fall, your child should always be fastened.
- It is dangerous to make any alteration or additions to the device without the approval of the competent authority, also not following closely the installation instructions provided by the child restraint manufacturer
- The enhanced child seat should not be used without the cover.
- The seat cover should not be replaced with any other than the one recommended by the manufacturer, because the cover consists an integral part of the restraint performance.
- Before you adjust any movable or adjustable parts of your enhanced child seat, you must remove your baby from the enhanced child seat firstly.
- The enhanced child seat should be kept away from sunlight if the seat is not provided with a textile, otherwise it may be too hot for the child's skin.
- Never use a second-hand product , as you can never be certain what happened to it.
- Do not place any objects in the leg area in front of your base.
- Frequently check the ISOFIX guides for dirt and clean them if necessary. Reliability can be affected by ingress of dirt, dust, food particles etc.
- Correct Installation is only permitted by use of the ISOFIX connectors.
- DO NOT install this enhanced child seat under the following conditions: Vehicle seats facing sideways or rearward with respect to the running direction of the vehicle.
- Tell your child that he/she should never play with the harness buckle.
- No enhanced child seat can guarantee full protection from injury in an accident. However, proper use of this enhanced child seat will reduce the risk of serious injury of death to your child.
- Do not have your child in large/oversized clothes because this may prevent your child from being properly and securely fastened by the shoulder harness straps and the crotch strap between the legs .
- Do not put anything other than the recommended baby insert in this enhanced child seat .
- Please refer to the vehicle manufacturer's handbook before installing this i-size ECRS.

# Instructions

EN

## 4. USE IN THE VEHICLE

### 4.1. Installation position of the enhanced child seat in vehicle

This is an i-Size Enhanced Child Restraint System. It is approved according to UN Regulation No. 129/02, for use in, i-Size compatible vehicle seating positions, as defined and approved according to UN Regulations No.16. According to UN Regulation No.129/02, this enhanced child seat is a Universal ISOFIX Child Restraint and should be fitted using the ISOFIX connections.

To use this enhanced child seat approved to the ECE R129/02 Regulation, your child must meet the following requirements.

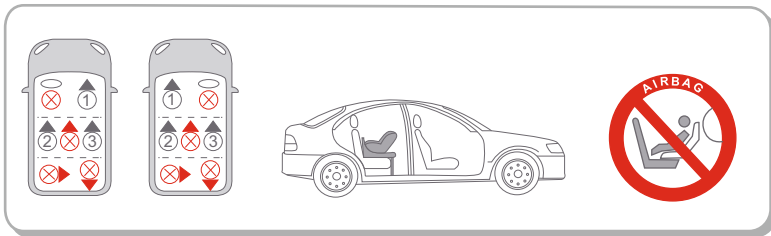
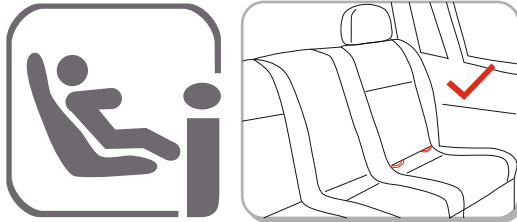
Forward Facing: Child height 76cm-105cm/ Child weight  $\leq$  22kg;

Rearward Facing: Child height 40cm-87cm/ Child weight  $\leq$  22kg;

If in doubt, consult either the Enhanced Child Restraint System manufacturer or the retailer.

**WARNING : DO NOT use rearward facing child seat in seating positions where an active frontal airbag installed .**

**"IMPORTANT - DO NOT USE FORWARD FACING BEFORE THE CHILD'S AGE EXCEEDS 15 months (Refer to instructions)".**

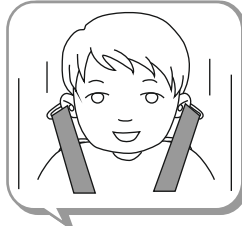


# Instructions

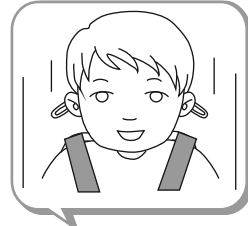
## 4.2. Checking the shoulder strap height



NO-Too low



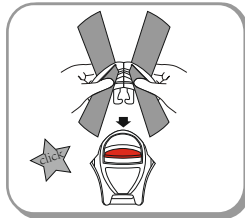
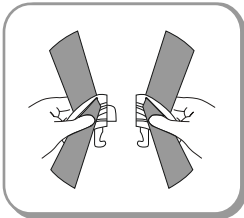
NO-Too high



Yes- Correct

Always check that the shoulder straps are at the same correct height for your child. The child's shoulders should always be thread through the slots in the cover and seat shell that are closest to the top of your child's shoulders.

## 4.3. Usage of buckle



Firstly, adjust the shoulder straps height, please proceed as follows:

**Step1.** Put the two metal sections of the buckle connector together.

**Step2.** Slot the two buckle connectors into the slot in the buckle until they “click” in place.

**Step3.** Check the harness is correctly locked by pulling the shoulder straps upwards.

To release the harness, press the red button of the buckle downwards, the two metal sections will pop up.



# Instructions

EN

## 4.4. Adjust and use the harness

Loosen the harness



The harness is loosened by pressing the adjuster button of the central adjuster on the front of the seat

Press down the adjuster button as you grip the two shoulder straps with your other hand.

Pull the shoulder straps towards you to loosen the harness.

Tighten the harness

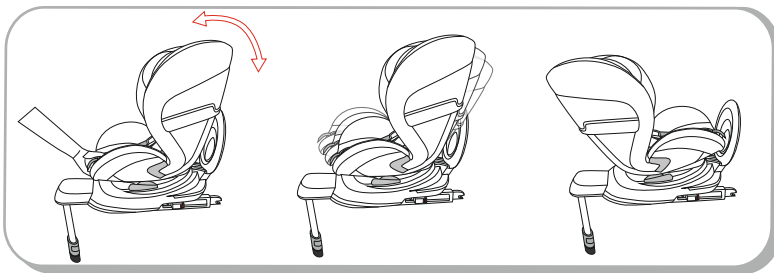


Pull the shoulder straps upwards to remove the slack from the lap sections of the harness then pull the adjuster strap until the harness is fully tightened.

The harness must be adjusted as tightly as possible without causing discomfort to your child.

A loose harness can be dangerous. Check the harness adjuster and tighten each time the child is placed in the seat.

## 4.5. Adjust the enhanced child seat to different recline positions



The seat body of the enhanced child seat can be adjusted in 4 different positions : rearward facing position, position 1, position 2, position 3.

# Instructions

For forward facing : position 1, position 2, position 3.

Pull the recline adjustment handle under the front seat body forward, and then pull or push the seat forwards or backwards. Release the recline adjustment handle in the desired position and push until you can hear a “click”.

Now the child seat is locked in the desired recline position.

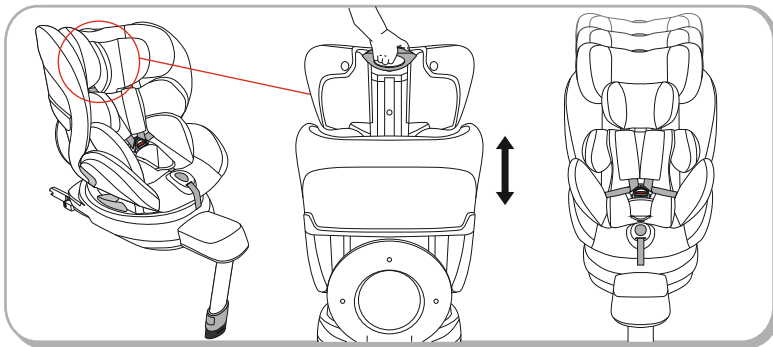
For rearward facing: rearward facing position

Rotate the seat body rearward facing and pull the recline adjustment handle under the front seat body forward to the largest recline position. Release the recline adjustment handle in the rearward facing position and push until you hear a “click”. Now the child seat is locked in the rearward facing position .

Make sure the child seat is securely locked in the desired position by pulling or pushing on the seat body .

## 4.6. Height adjustment for shoulder strap and headrest

According to children's different height, the headrest and the shoulder strap can be adjusted up and down, totally 8 positions. Adjust the headrest by pulling the headrest adjustment handle, raise or lower according to your child's height. Release the handle, the headrest and the shoulder belts reach the desired height and you will hear a “click”. The harness strap should be level with your child's shoulders. Check that the headrest is properly engaged by sliding the headrest down a little.



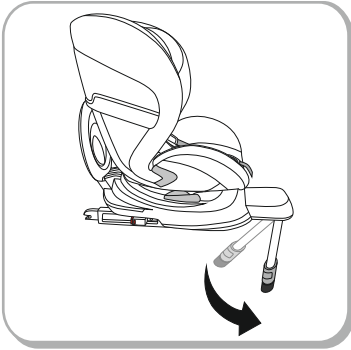
# Instructions

EN

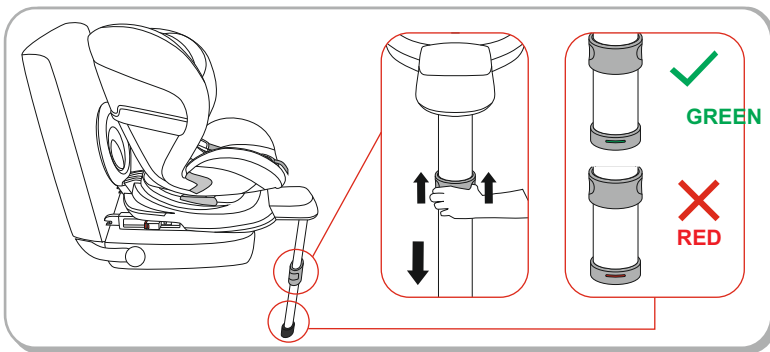
## 4.7. Usage of The support leg

1. Unfold and pull the support leg away from the bottom of the enhanced child seat until it locks in place .

2. Place the enhanced child seat forwarder facing on a vehicle seat.



3. Hold and push support leg adjustment handle and pull out the lower section from the upper section of the support leg until it rests firmly on the floor of the vehicle. The support leg indicator at the bottom of the support leg must be fully green .



**Important !** It is not allowed to place objects under the support leg. For information on the storage compartments in the foot area please contact your vehicle manufacturer.

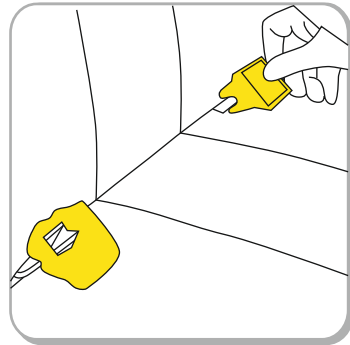
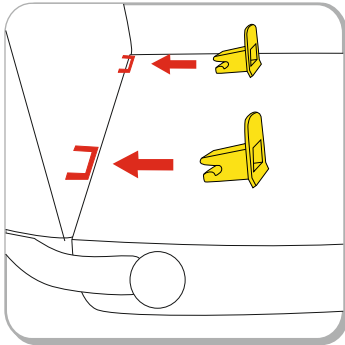
# Instructions

Make sure the support leg must never be suspended in mid-air or supported by other objects.

Make sure that the support leg does not lift the bottom of the base of the child seat up from the surface of the vehicle seat

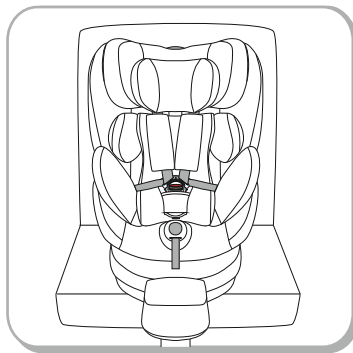
EN

## 4.8. Usage of the ISOFIX



**Warning:** Ensure that your vehicle has ISOFIX anchorage points. Insert ISOFIX guides to assist with installation .

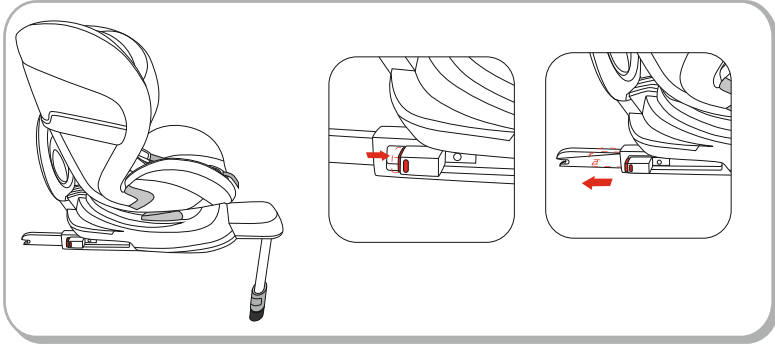
1. Place the child seat forwarder facing on a vehicle seat.



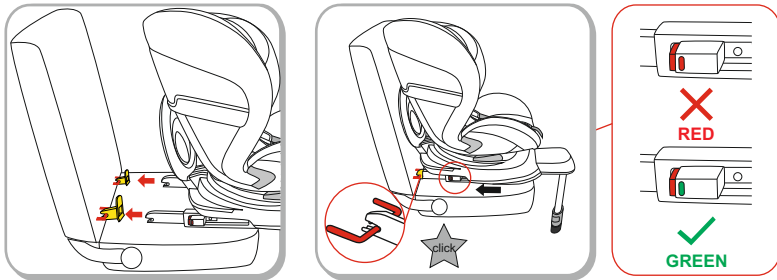
# Instructions

EN

2. Press and push ISOFIX release button on both sides of the seat and make sure the ISOFIX connectors are fully extended. This ensures that both hooks on the ISOFIX connectors are open and ready to use, now both ISOFIX indicators of ISOFIX release button show red color .



3. Push the ISOFIX connectors through ISOFIX guides directly into the anchorages until you hear a "click" sound. Now both ISOFIX indicator of ISOFIX release button show green color . At the same time, push the backrest of the base of the enhanced child seat toward the backrest of vehicle seat until tightly.

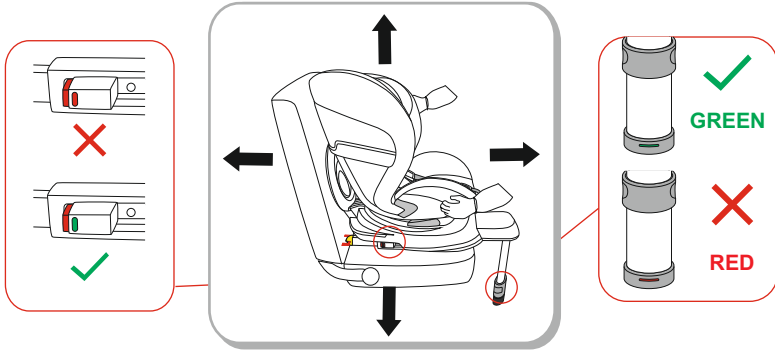


Make sure that both ISOFIX indicators of ISOFIX release button on both sides show green color so that the enhanced child seat is correctly hooked.

# Instructions

4. Shake the enhanced child seat to ensure that it is securely fastened and check the safety buttons to make sure that the two indicators are fully green

EN

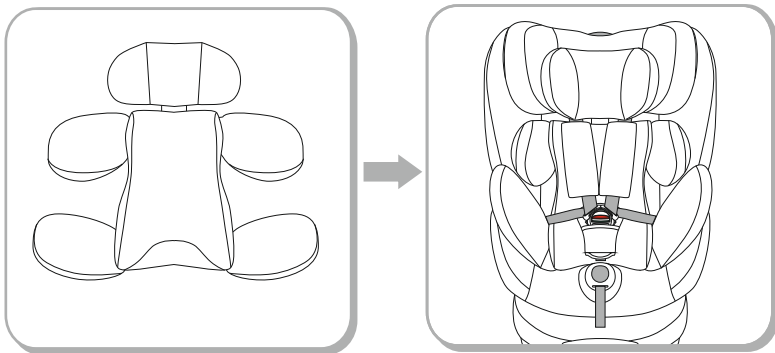


## 4.9. Using the baby insert

The baby insert must be used up to a maximum body size of 60cm. Place the baby insert in the child safety seat and lay both shoulder straps over the baby insert.

Hook the two plastic hooks into the loops on the cover of the headrest. Guide the harness buckle and the crotch pad through the openings in the bottom part of the baby insert.

Always make sure that your child is properly secured.



# Instructions

EN

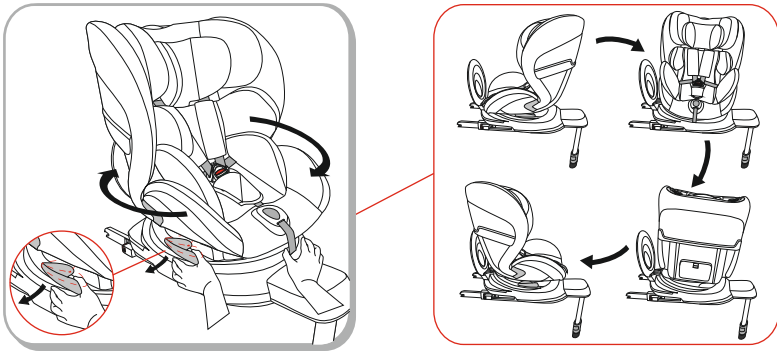
## 5.0. Changing the direction of travel

This enhanced child seat can be adjusted 360° rotation. The i-SIZE enhanced child seat can be used:

Forward Facing: Child height 76cm-105cm/ Child weight  $\leq 22$ kg;

Rearward Facing: Child height 40cm-87cm/ Child weight  $\leq 22$ kg;

To change the direction of travel, press the rotation button and turn the seat body to the desired direction until it engages.



**Important !** Before making any car journey, ensure that the rotating part of the child safety seat is fully engaged by trying to rotate the enhanced child seat in both directions.

**Important !** It is not allowed to place objects under the support leg. For information on the storage compartments in the foot area please contact your vehicle manufacturer.

Do not use the enhanced child seat facing forwards if your child is under 76cm/15 months old.

**Important !** The enhanced child seat should be only in forward facing or rearward facing direction during the travel.

## 5.1. INSTALLING THE i-Size CHILD SEAT

Unfold and pull the support leg away from the bottom of the enhanced child seat until it locks in place. Place the enhanced child seat forwarder facing on a vehicle seat. Install the enhanced child seat on the vehicle seat, please refer to Section 4.7, Section 4.8, Section 4.9, Section 5.0

# Instructions

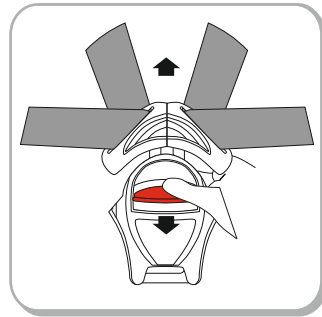
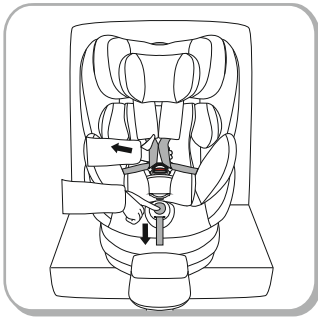
## 5.2. Securing your child in the enhanced child seat

Forward Facing: Child height 76cm-105cm/ Child weight  $\leq 22$ kg;

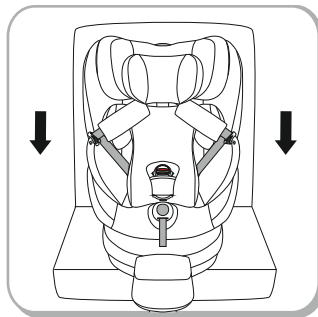
Recline position Positions 1, position2, position3

EN

1. Press the strap adjustment button, while pulling out the shoulder harnesses to the proper length.
2. Press the red button to disengage the buckle.



3. Fix the two metal sections of the buckle connector on the both sides of the enhanced child seat

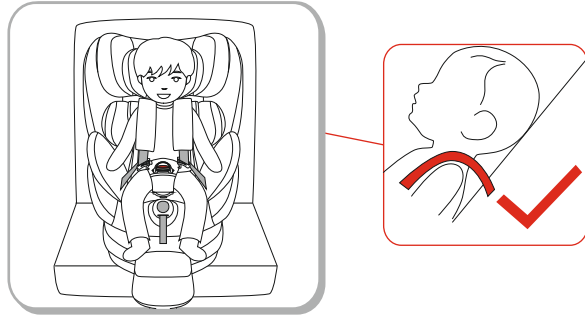


4. Place the child into the enhanced child seat and pass both arms through the harnesses. Position the harness straps at or below the child's shoulders. After the child is seated, re-check whether the shoulder harnesses are at the proper height.



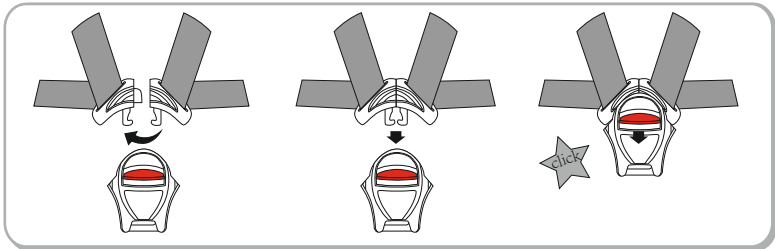
# Instructions

EN



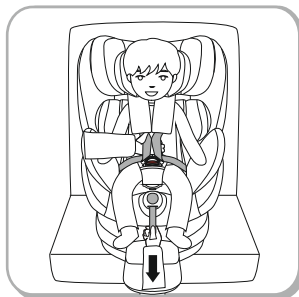
Check and adjust the height of the shoulder straps and headrest to the correct position according to your child's height.

5. Engage the buckle and put the two metal sections of the buckle connector together. Slot the two buckle connectors into the slot in the buckle until they “click” in place.



Check that the harness has not become twisted and also check that the cover is not impeding the movement or fit of the harness in any way.

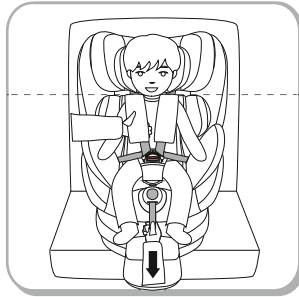
6. Pull down the adjustment strap and adjust it to the proper length to make sure your child is snugly secured



# Instructions

7. Make sure the space between the child and the shoulder harness is about the thickness of one hand.

EN



Adjust the child seat to the desired incline position to make your child comfortable.

**Important !** Do not use the enhanced child seat facing forwards if your child is under 76cm/15months old.

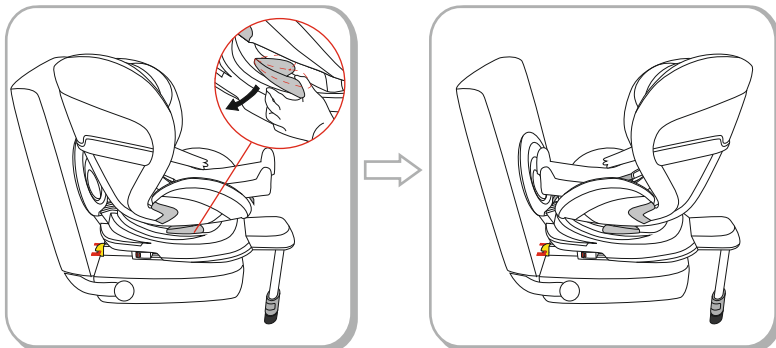
To remove the baby from the child seat, repeat the above procedures in reverse order.

### 5.3. Securing your child in the enhanced child seat

Rearward Facing: Child height 40cm-87cm/ Child weight  $\leq 22$ kg;

Recline position: rearward facing position

If you want to use the enhanced child seat rearward facing, press the rotation button and turn the seat body rearward facing, at the same time, pull the recline adjustment handle under the front seat body forward to the largest recline position. Release the recline adjustment handle in the rearward facing position and push until you hear a “click”. Now the child seat is locked in the rearward facing position.



# Instructions

Make sure the enhanced child seat is securely locked in the desired position by pulling or pushing on the seat body.

**Important!** Before making any car journey, ensure that the rotating part of the enhanced child seat is fully engaged by trying to rotate the enhanced child seat in both directions.

**WARNING:** DO NOT use rearward facing child seat in seating positions where an active frontal airbag installed . Death or serious injury can occur.

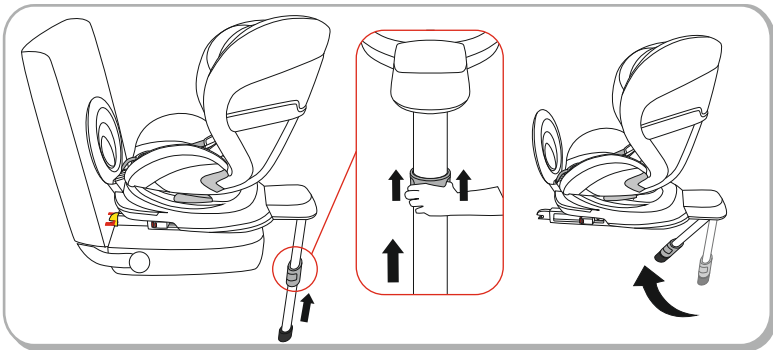
## 5.4. Putting the child in/ Taking the child out

1. Adjust the rotation handle on the side of the base, rotating the seat body 90° towards the vehicle door at the same time.
2. Now you can put your child in or take him or her out easily.
3. Secure your child in the seat
4. Rotate the seat body 90° again so it is facing either forwards or backwards, depending on the age of your child, until it engages with a clicking sound.

**Important !** Before every journey, make sure that the rotating seat body is fully engaged.

## 5.5. Removing the enhanced child seat

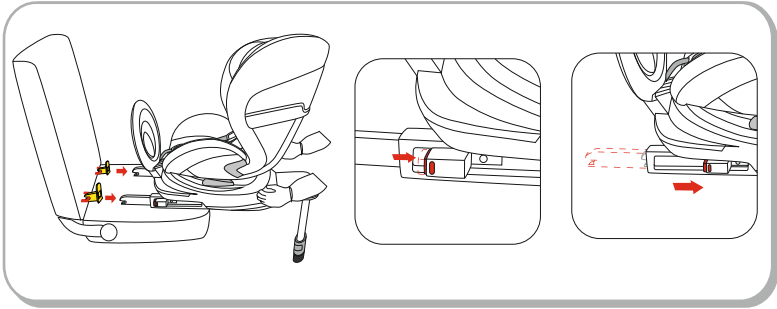
1. Hold and push support leg adjustment handle and slide the lower section into the upper section of the support leg until it is fully stored .



2. Loosen the ISOFIX connectors on both sides by pressing the ISOFIX release button at the same time, move the ISOFIX connectors back into the ISOFIX frame of the base .

# Instructions

EN



The ISOFIX connectors are protected against damage once they are pushed back into the ISOFIX frame of the base.

**Important!** The enhanced child seat must always be secured when it is in the vehicle, even if no child is being transported.

## 5.6. Maintenance and cleaning

### 5.6.1. Daily maintenance

1. In daily use, check periodically the enhanced child seat. The enhanced child seat should be replaced after an accident.
2. Please keep this enhanced child seat in dry and ventilated place to avoid damp moldy.
3. If the enhanced child seat becomes dusty, clean the seat belt and the plastic pieces by swiping them with a damp sponge and let it dry under ambience.
4. If food or drink drop accidentally on the buckle, disassemble the seat belt from the enhanced child seat and rinse it gently by warm water. Leave it dry under ambience.
5. For cleaning the entire child seat fabric cover, please refer to the 5.6.2 washing instructions.

### 5.6.2. Washing instruction

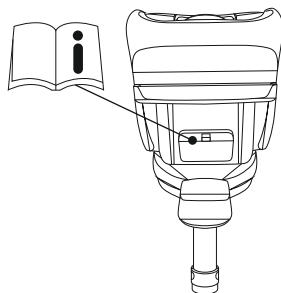
Never use any solvent, chemical detergent or lubricant on any part of your child seat.



# Σημαντικό!

**ΣΗΜΑΝΤΙΚΟ: ΔΙΑΒΑΣΤΕ ΠΡΟΣΕΚΤΙΚΑ ΑΥΤΕΣ ΤΙΣ ΟΔΗΓΙΕΣ ΠΡΙΝ ΤΗ ΧΡΗΣΗ ΚΑΙ ΦΥΛΑΞΤΕ ΓΙΑ ΜΕΛΛΟΝΤΙΚΗ ΑΝΑΦΟΡΑ.**

Εάν δεν ακολουθήσετε αυτές τις οδηγίες, η ασφάλεια ενός παιδιού μπορεί να απειληθεί σοβαρά.



## ΣΗΜΕΙΩΣΗ

1. Σημείωση σχετικά με την κατηγορία i-Size των ενισχυμένων καθισμάτων συγκράτησης παιδιών
2. Αυτό είναι ένα i-Size ενισχυμένο σύστημα συγκράτησης παιδιών.
3. Εγκρίνεται σύμφωνα με τον κανονισμό αριθ. 129 του ΟΗΕ, για χρήση σε i-Size συμβατές θέσεις καθισμάτων του οχήματος όπως υποδεικνύουν οι κατασκευαστές οχημάτων στο εγχειρίδιο χρήσης των οχημάτων.
4. Σε περίπτωση αμφιβολίας, συμβουλευτείτε είτε τον κατασκευαστή ή τον λιανοπωλητή.

## ΣΗΜΑΝΤΙΚΟ

**ΝΑ ΜΗΝ ΧΡΗΣΙΜΟΠΟΙΗΘΕΙ ΜΕ ΦΟΡΑ ΠΡΟΣ ΤΑ ΠΙΣΩ ΣΕ ΘΕΣΕΙΣ ΟΠΟΥ ΥΠΑΡΧΕΙ ΕΝΕΡΓΟΠΟΙΗΜΕΝΟΣ ΑΕΡΟΣΑΚΟΣ.**

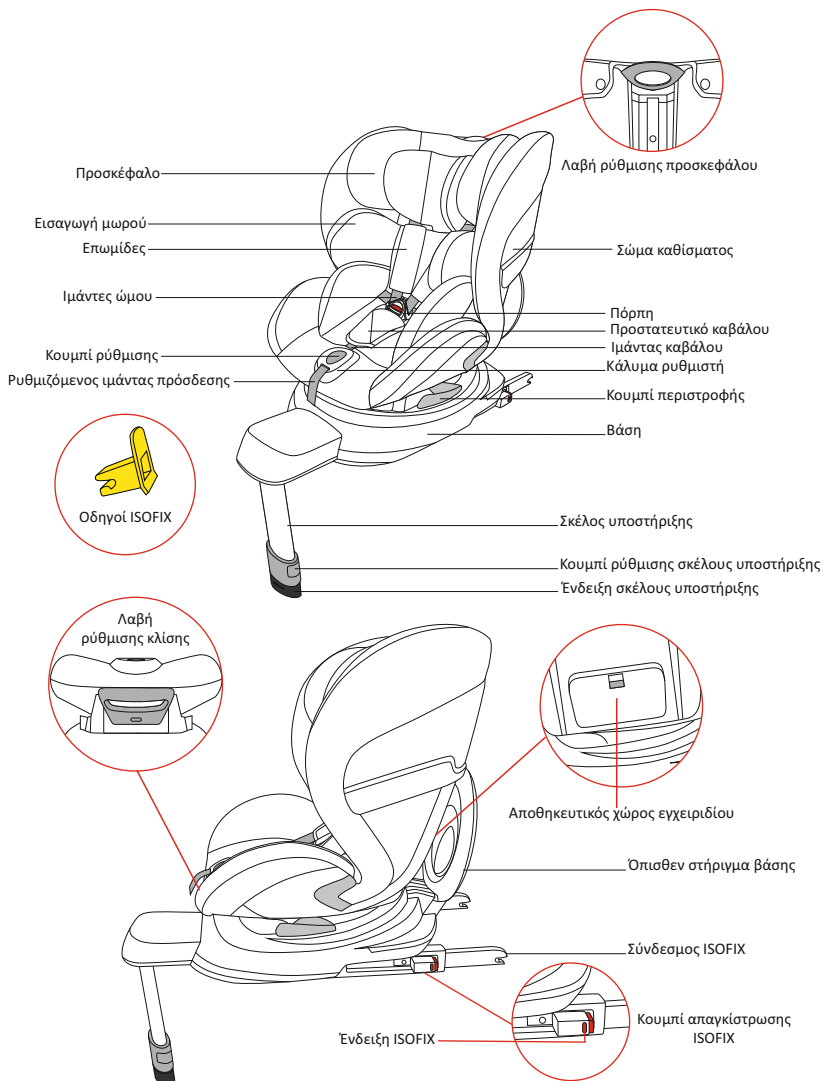
**ΝΑ ΜΗΝ ΧΡΗΣΙΜΟΠΟΙΗΘΕΙ ΜΕ ΦΟΡΑ ΠΡΟΣ ΤΑ ΕΜΠΡΟΣ ΜΕΧΡΙ ΝΑ ΕΧΕΙ ΟΛΟΚΛΗΡΩΣΕΙ ΤΟΥΣ 15 ΜΗΝΕΣ**

**(Ανατρέξτε στις οδηγίες).**

# Εισαγωγή

Οι θέσεις καθισμάτων σε άλλα αυτοκίνητα μπορεί επίσης να είναι κατάλληλες για να αποδεχθούν αυτό το σύστημα συγκράτησης για παιδιά. Ανατρέξτε στα έγγραφα πληροφοριών ή στον ιστότοπο του πωλητή για το κατάλληλη λίστα μοντέλων αυτοκινήτων. Σε περίπτωση αμφιβολίας, συμβουλευτείτε τον κατασκευαστή ή τον πωλητή οποιαδήποτε στιγμή.

## Γνωρίστε το κάθισμα σας



## ΠΡΟΣΟΧΗ

Για να προστατέψετε σωστά το παιδί σας, παρακαλούμε αφιερώστε λίγο χρόνο για να διαβάσετε το εγχειρίδιο και εγκαταστήσετε το ενισχυμένο παιδικό κάθισμα και χρησιμοποιήστε το ακριβώς όπως περιγράφεται στο εγχειρίδιο οδηγιών ανά πάσα στιγμή.

Αυτό το εγχειρίδιο οδηγιών πρέπει να φυλάσσεται στον αποθηκευτικό χώρο στο πίσω μέρος του καθίσματος καθ' όλη τη διάρκεια της ζωής του.

Για να χρησιμοποιήσετε αυτό το παιδικό κάθισμα με τις συνδέσεις ISOFIX σύμφωνα με τον κανονισμό ECE R129 / 02, το παιδί σας πρέπει να πληροί τις ακόλουθες προϋποθέσεις.

Εμπρόσθια φορά: ύψος παιδιού 76cm-105cm / βάρος παιδιού  $\leq 22$ kg

Πίσω όψη: ύψος παιδιού 40cm-87cm / βάρος παιδιού  $\leq 22$ kg

"ΣΗΜΑΝΤΙΚΟ - ΜΗΝ ΧΡΗΣΙΜΟΠΟΙΗΣΕΤΕ ΦΟΡΑ ΠΡΟΣ ΤΑ ΕΜΠΡΟΣ ΠΡΙΝ Η ΗΛΙΚΙΑ ΤΟΥ ΠΑΙΔΙΟΥ ΥΠΕΡΒΕΙ ΤΟΥΣ 15 ΜΗΝΕΣ (Ανατρέξτε στις οδηγίες)".

Κρατήστε το παιδί σας στραμμένο προς τα πίσω όσο το δυνατόν περισσότερο καθώς είναι η ασφαλέστερη θέση.

ΠΡΟΕΙΔΟΠΟΙΗΣΗ: ΜΗΝ χρησιμοποιείτε παιδικό κάθισμα που βλέπει προς τα πίσω σε θέσεις καθισμάτων όπου υπάρχει ενεργοποιημένος μετωπικός αερόσακος. Θάνατος ή σοβαρός τραυματισμός μπορεί να συμβεί.

Μην χρησιμοποιείτε αυτό το ενισχυμένο παιδικό κάθισμα στο σπίτι. Δεν έχει σχεδιαστεί για χρήση στο σπίτι και θα πρέπει να χρησιμοποιείται μόνο στο αυτοκίνητό σας.

Μην αφήνετε το παιδί σας χωρίς επιτήρηση στο ενισχυμένο παιδικό κάθισμα ανά πάσα στιγμή. Το ενισχυμένο παιδικό κάθισμα θα πρέπει να αντικαθίσταται όταν έχει υποστεί καταπόνηση σε ένα ατύχημα.

Για λόγους ασφάλειας, το παιδικό κάθισμα πρέπει να στερεωθεί στο εσωτερικό του οχήματος ακόμα και αν δεν βάζετε το παιδί σας μέσα σε αυτό.

Να βεβαιώνεστε πάντοτε ότι υπάρχουν ιμάντες που συγκρατούν το σύστημα συγκράτησης στο όχημα σφιχτά, το πόδι στήριξης να έρχεται σε επαφή με το πάτωμα του οχήματος, οι ιμάντες ή τα προστατευτικά που συγκρατούν το παιδί να προσαρμόζονται στο σώμα του παιδιού και βεβαιωθείτε ότι οι ιμάντες δεν είναι ανεστραμμένοι.

Μη χρησιμοποιείτε άλλα σημεία επαφής που φέρουν φορτίο διαφορετικά από αυτά που περιγράφονται στο εγχειρίδιο και επισημαίνονται στο σύστημα συγκράτησης παιδιών.

Αποσκευές ή άλλα αντικείμενα που ενδέχεται να προκαλέσουν τραυματισμούς σε περίπτωση σύγκρουσης πρέπει να συγκρατούνται σωστά.

Τα άκαμπτα αντικείμενα και τα πλαστικά μέρη αυτού του παιδικού καθίσματος, πρέπει να τοποθετηθούν και να εγκατασταθούν κατάλληλα ώστε να αποφευχθεί η σύγκρουση με κινούμενα καθίσματα ή πόρτες του οχήματος.

## ΠΡΟΣΟΧΗ

GR

Για να αποφύγετε τον κίνδυνο πτώσης, το παιδί σας θα πρέπει πάντα να είναι δεμένο μέσα στο κάθισμα.

Είναι επικίνδυνο να κάνετε οποιαδήποτε τροποποίηση ή προσθήκες στη συσκευή χωρίς την έγκριση της αρμόδιας αρχής, χωρίς να αναγράφονται στις οδηγίες εγκατάστασης που παρέχονται από τον κατασκευαστή του συστήματος συγκράτησης παιδιών

Το ενισχυμένο παιδικό κάθισμα δεν πρέπει να χρησιμοποιείται χωρίς το κάλυμμα.

Το κάλυμμα του καθίσματος δεν πρέπει να αντικαθίσταται με άλλο εκτός από αυτό που συνιστάται από τον κατασκευαστή, επειδή το κάλυμμα αποτελεί αναπόσπαστο μέρος της απόδοσης συγκράτησης.

Προτού ρυθμίσετε οποιαδήποτε κινητά ή ρυθμιζόμενα μέρη του ενισχυμένου παιδικού σας καθίσματος, πρέπει πρώτα να αφαιρέσετε το μωρό σας από το ενισχυμένο παιδικό κάθισμα.

Το ενισχυμένο παιδικό κάθισμα πρέπει να φυλάσσεται μακριά από το ηλιακό φως αν το κάθισμα δεν είναι εφοδιασμένο με ύφασμα, διαφορετικά μπορεί να είναι πολύ ζεστό για το δέρμα του παιδιού.

Ποτέ μην χρησιμοποιείτε μεταχειρισμένο προϊόν, καθώς δεν μπορείτε ποτέ να είστε σίγουροι τι συνέβη σε αυτό.

Μην τοποθετείτε αντικείμενα στην περιοχή του ποδιού μπροστά από τη βάση.

Ελέγχετε συχνά τους οδηγούς ISOFIX για ακαθαρσίες και καθαρίστε τους εάν είναι απαραίτητο. Η αξιοπιστία μπορεί να επηρεαστεί από την είσοδο βρωμιάς, σκόνης, σωματιδίων τροφίμων κ.λπ.

Η σωστή εγκατάσταση επιτρέπεται μόνο με τη χρήση των συνδέσμων ISOFIX.

**ΜΗΝ** εγκαταστήσετε αυτό το ενισχυμένο παιδικό κάθισμα υπό τις ακόλουθες συνθήκες:

Τα καθίσματα του οχήματος είναι στραμμένα προς τα πλάγια ή προς τα πίσω σε σχέση με την κατεύθυνση κίνησης του οχήματος.

Πείτε στο παιδί σας ότι δεν πρέπει ποτέ να παίζει με την πόρπη πρόσδεσης.

Δεν υπάρχει ενισχυμένο παιδικό κάθισμα που να εγγυάται πλήρη προστασία από τραυματισμούς σε περίπτωση ατυχήματος. Ωστόσο, η σωστή χρήση αυτού του ενισχυμένου παιδικού καθίσματος θα μειώσει τον κίνδυνο σοβαρού προβλήματος τραυματισμού ή θανάτου στο παιδί σας.

Μην έχετε το παιδί σας σε μεγάλα / υπερμεγέθη ρούχα γιατί αυτό μπορεί να εμποδίσει το παιδί να είναι σωστά και ασφαλώς στερεωμένο από τους ιμάντες ώμου και το λουρί καβάλου μεταξύ των ποδιών.



## 4. Χρήση στο αυτοκίνητο

### 4.1. Θέση εγκατάστασης του καθίσματος στο αυτοκίνητο

Αυτό είναι ένα ενισχυμένο σύστημα συγκράτησης παιδιών. Εγκεκριμένο σύμφωνα με τον κανονισμό αριθ. 129/02 του ΟΗΕ, για χρήση σε όχημα συμβατό με i-size θέσεις καθισμάτων, όπως ορίζονται και εγκρίνονται σύμφωνα με τους κανονισμούς των Ηνωμένων Εθνών αριθ. 16.

Σύμφωνα με τον κανονισμό αριθ. 129/02 του ΟΗΕ, το ενισχυμένο παιδικό κάθισμα είναι καθολικό ISOFIX και πρέπει να τοποθετηθεί χρησιμοποιώντας τις συνδέσεις ISOFIX.

Για να χρησιμοποιήσετε αυτό το παιδικό κάθισμα που έχει εγκριθεί σύμφωνα με τον κανονισμό ECE R129 / 02, το παιδί πρέπει να πληροί τις ακόλουθες απαιτήσεις:

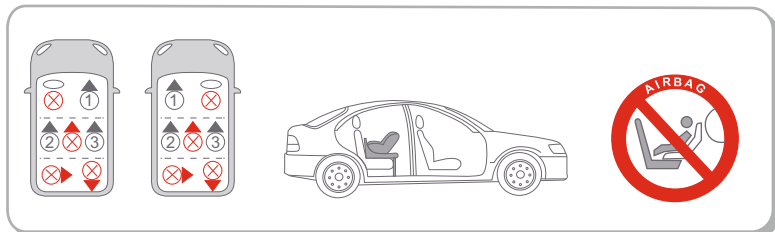
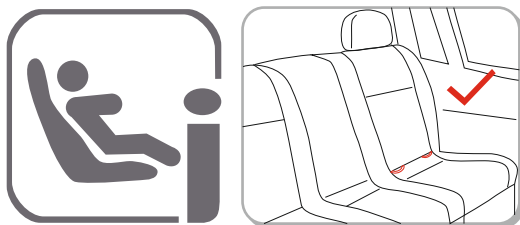
Εμπρόσθια όψη: ύψος παιδιού 76cm-105cm / βάρος παιδιού  $\leq 22$ kg

Πίσω όψη: ύψος παιδιού 40cm-87cm / βάρος παιδιού  $\leq 22$ kg

Σε περίπτωση αμφιβολίας, συμβουλευτείτε τον κατασκευαστή του προϊόντος ή τον πωλητή σας.

**ΠΡΟΣΟΧΗ:** ΜΗΝ χρησιμοποιείτε παιδικό κάθισμα που βλέπει προς τα πίσω στις θέσεις καθισμάτων με ενεργό μετωπικό αερόσακο εγκατεστημένο.

**"ΣΗΜΑΝΤΙΚΟ - ΜΗΝ ΧΡΗΣΙΜΟΠΟΙΗΣΕΤΕ ΜΕ ΦΟΡΑ ΠΡΟΣ ΤΑ ΕΜΠΡΟΣ ΠΡΙΝ ΤΟ ΠΑΙΔΙ ΦΤΑΣΕΙ ΤΟΥΣ 15 ΜΗΝΕΣ (Ανατρέξτε στις οδηγίες) "**.



## 4.2. Έλεγχος του ύψους του ιμάντα ώμου.



ΟΧΙ - Πολύ χαμηλά



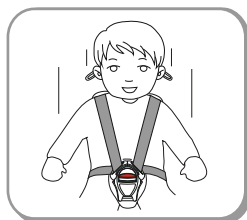
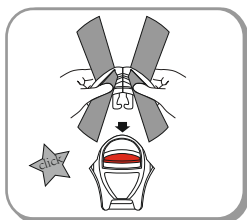
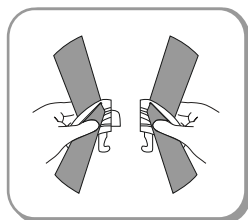
ΟΧΙ - Πολύ ψηλά



ΝΑΙ - Σωστή θέση

Πάντα να ελέγχετε ότι οι ιμάντες ώμου είναι στο ίδιο ύψος για το παιδί σας. Οι ώμοι του παιδιού πρέπει πάντα να περνούν μέσα από τις εγκοπές στο κάλυμμα και στη πλάτη του καθίσματος που βρίσκονται πιο κοντά στην κορυφή των ώμων του παιδιού σας.

## 4.3. Χρήση της πόρπης



Αρχικά, ρυθμίστε το ύψος των ιμάντων ώμων, ακολουθήστε τα εξής βήματα:

**Βήμα 1.** Τοποθετήστε τα δύο μεταλλικά τμήματα της πόρπης μαζί.

**Βήμα 2.** Περάστε τους δύο συνδέσμους της πόρπης στην υποδοχή έως ότου να ακουστεί κλικ κουμπώνοντας στη θέση τους.

**Βήμα 3.** Ελέγξτε ότι η ζώνη ασφαλείας είναι σωστά ασφαλισμένη τραβώντας προς τα πάνω τους ιμάντες ώμου.

Για να απελευθερώσετε την ζώνη ασφαλείας, πατήστε το κόκκινο κουμπί της πόρπης προς τα κάτω, τα δύο μεταλλικά τμήματα θα εμφανιστούν.

## 4.4. Ρύθμιση και χρήση της ζώνης ασφαλείας

Χαλαρώστε τη ζώνη



Η ζώνη χαλαρώνει πατώντας το κουμπί ρύθμισης του κεντρικού ρυθμιστή στην εμπρόσθια όψη του καθίσματος.

Πατήστε το κουμπί ρύθμισης καθώς πιάνετε τους δύο ιμάντες ώμων με το άλλο σας χέρι. Τραβήξτε τους ιμάντες ώμων προς εσάς για να χαλαρώσετε την ζώνη ασφαλείας.

Σφίξτε τη ζώνη

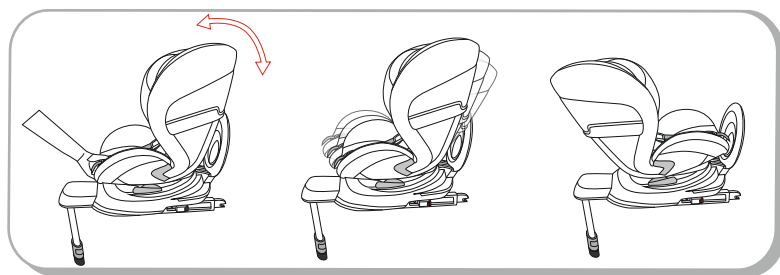


Τραβήξτε τους ιμάντες ώμων προς επάνω για να ελαττωθεί η χαλάρωση της ζώνης στο σημείο της μέσης και τραβήξτε τον ιμάντα ρύθμισης έως ότου η ζώνη ασφαλείας να σφίξει εντελώς.

Η ζώνη ασφαλείας πρέπει να είναι όσο πιο σφιχτή γίνεται, χωρίς να προκαλεί δυσφορία στο παιδί.

Μια χαλαρή ζώνη ασφαλείας μπορεί να είναι επικίνδυνη. Ελέγξτε τον ιμάντα ρύθμισης και σφίξτε κάθε φορά που τοποθετείτε το παιδί στο κάθισμα.

## 4.5. Ρυθμίστε το κάθισμα σε διαφορετικές θέσεις ανάκλισης



Το σώμα του καθίσματος μπορεί να ρυθμιστεί σε 4 διαφορετικές θέσεις: Θέση με φορά προς τα πίσω, θέση 1, θέση 2, θέση 3.

Για θέση με φορά προς τα πίσω, θέση 1, θέση 2, θέση 3.

Τραβήξτε τη λαβή ρύθμισης ανάκλισης κάτω από το σώμα του καθίσματος προς τα εμπρός και τραβήξτε ή ωθήσετε το κάθισμα προς εμπρός ή πίσω.

Αφήστε τη λαβή ρύθμισης και πιέστε έως ότου ακουστεί «κλικ».

Τώρα το κάθισμα έχει κλειδώσει στην επιθυμητή θέση ανάκλισης.

Περιστρέψτε το σώμα του καθίσματος σε φορά προς τα πίσω και τραβήξτε τη λαβή ρύθμισης κλίσης κάτω από το σώμα του καθίσματος στην μεγαλύτερη

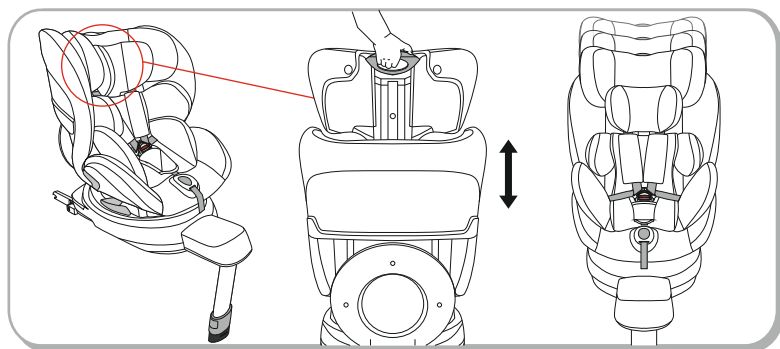
θέση ανάκλισης. Αφήστε τη λαβή ρύθμισης και πιέστε έως ότου ακουστεί «κλικ». Τώρα το κάθισμα έχει κλειδώσει σε θέση με φορά προς τα πίσω.

Σιγουρευτείτε πως το παιδικό κάθισμα είναι ασφαλές κλειδωμένο στην επιθυμητή θέση κουνώντας το σώμα του καθίσματος.

## 4.6. Ρύθμιση ύψους για ιμάντες ώμων και προσκέφαλο

Σύμφωνα με το διαφορετικό ύψος του παιδιού σας, η ζώνη ασφαλείας και το προσκέφαλο μπορούν να ρυθμιστούν προς επάνω και κάτω, σε σύνολο 8 θέσεων. Ρυθμίστε το προσκέφαλο τραβώντας τη λαβή ρύθμισης, υψώνοντας ή χαμηλώνοντας, ανάλογα με το ύψος του παιδιού.

Αφήστε τη λαβή, το προσκέφαλο και οι ιμάντες ώμων θα φτάσουν το επιθυμητό ύψος και θα ακουστεί ήχος «κλικ». Οι ζώνες θα πρέπει να βρίσκονται στο ύψος των ώμων του παιδιού. Ελέγξτε πως το προσκέφαλο είναι κουμπωμένο δίνοντάς του μικρή ώθηση προς τα κάτω.



## 4.7. Χρήση του σκέλους στήριξης

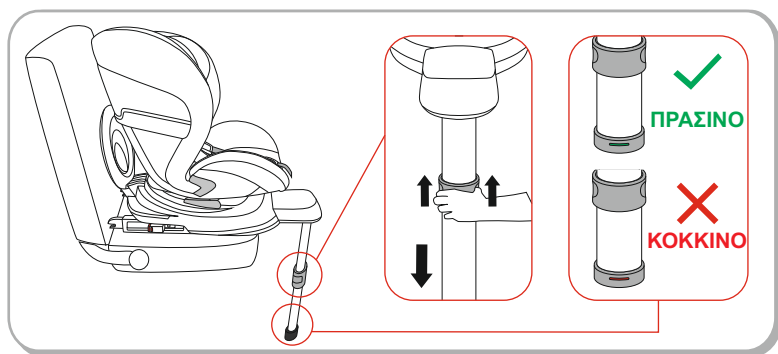
1. Ξεδιπλώστε και τραβήξτε το σκέλος στήριξης από την βάση του καθίσματος μέχρι να κλειδώσει στη θέση του.



2. Τοποθετήστε το παιδικό κάθισμα σε θέση του αυτοκινήτου με φορά προς τα εμπρός.



3. Τραβήξτε και σπρώξτε την λαβή ρύθμισης του σκέλους και τραβήξτε το κάτω τμήμα έξω από το επάνω τμήμα του σκέλους έως ότου εφαρμόσει στο πάτωμα του αυτοκινήτου. Η ένδειξη του σκέλους στο κάτω μέρος θα πρέπει να είναι πράσινη.

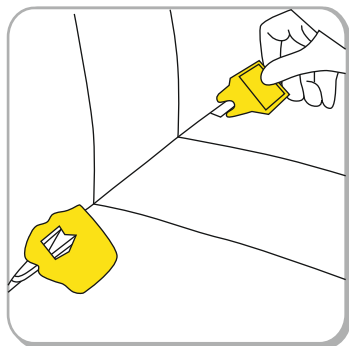
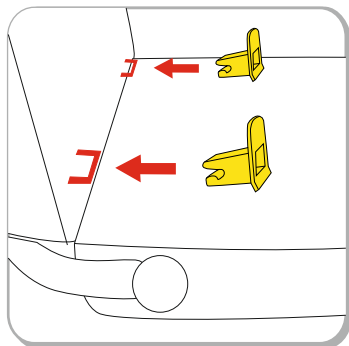


**ΣΗΜΑΝΤΙΚΟ!** Δεν επιτρέπεται να τοποθετούνται αντικείμενα κάτω από το σκέλος στήριξης. Για πληροφορίες σχετικά με τις θέσεις αποθήκευσης στην περιοχή των ποδιών, συμβουλευτείτε τον κατασκευαστή του αυτοκινήτου σας.

Σιγουρευτείτε πως το σκέλος στήριξης δεν αιωρείται και δεν στηρίζεται επάνω σε άλλα αντικείμενα.

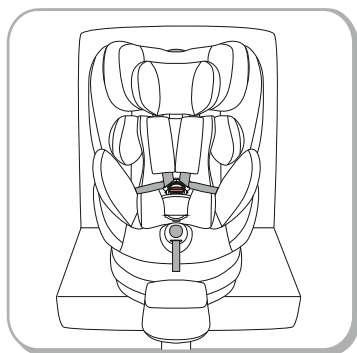
Σιγουρευτείτε πως το σκέλος στήριξης δεν εξυψώνει την βάση του παιδικού καθίσματος από την επιφάνεια του καθίσματος αυτοκινήτου.

## 4.8. Χρήση του ISOFIX

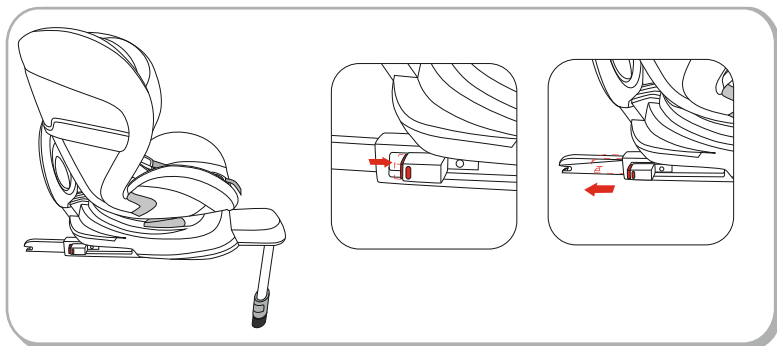


**Προσοχή:** Σιγουρευτείτε πως το όχημα σας έχει άγκιστρα ISOFIX. Χρησιμοποιήστε τους οδηγούς ISOFIX για να σας βοηθήσουν στην εγκατάσταση.

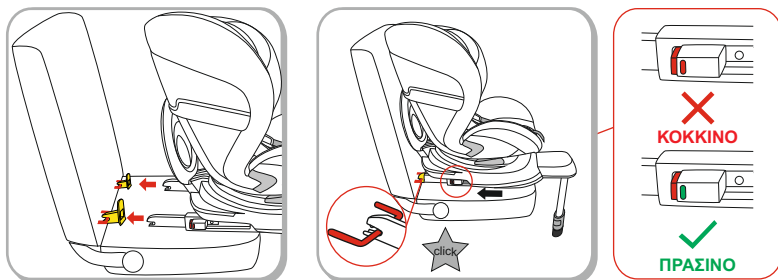
1. Τοποθετήστε το παιδικό κάθισμα επάνω στο κάθισμα αυτοκινήτου με φορά προς τα εμπρός.



2. Πιέστε και σπρώξτε το κουμπί ελευθέρωσης ISOFIX στις δύο πλευρές του καθίσματος και σιγουρευτείτε πως οι σύνδεσμοι ISOFIX είναι σε πλήρη ανάπτυξη. Αυτό εξασφαλίζει πως και οι δύο γάντζοι των συνδέσμων είναι ανοιχτοί και έτοιμοι για χρήση και οι ενδείξεις στα κουμπιά ελευθέρωσης δείχνουν κόκκινο χρώμα.

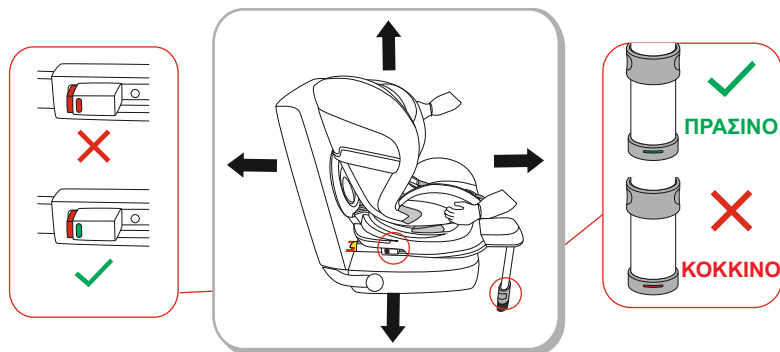


Ωθήστε τους συνδέσμους ISOFIX μέσω των ISOFIX οδηγών στα άγκιστρα έως ακουστεί ο ήχος «κλικ». Τώρα και οι δύο ενδείξεις του κουμπιού ελευθέρωσης ISOFIX εμφανίζουν πράσινο χρώμα. Ταυτόχρονα σπρώξτε τη βάση του παιδικού καθίσματος προς την πλάτη του καθίσματος αυτοκινητού έως ότου στερεωθεί.



Σιγουρευτείτε πως και οι δύο ενδείξεις των κουμπιών ελευθέρωσης ISOFIX εμφανίζουν πράσινο χρώμα ώστε το παιδικό κάθισμα να είναι σωστά αγκιστρωμένο.

4. Ανακινήστε το παιδικό καθισματάκι για να σιγουρευτείτε πως ασφαλίστηκε σωστά και ελέγξτε τις ενδείξεις στα δύο κουμπιά ασφαλείας ώστε να είναι πράσινες.



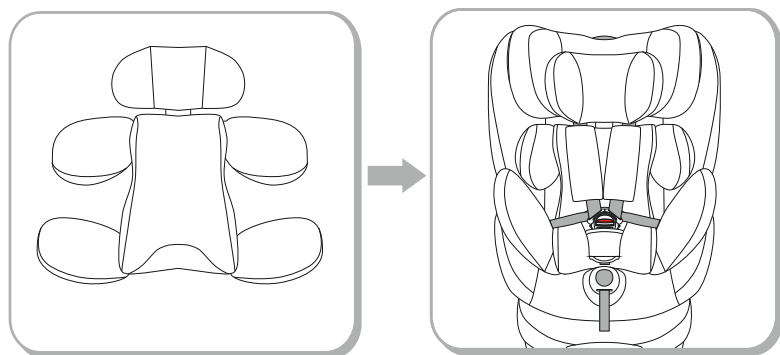
## 4.9. Χρησιμοποιώντας τα μαλακά μέρη

Τα μαλακά μέρη πρέπει να χρησιμοποιούνται με μέγιστο ύψος παιδιού 60 εκ. Τοποθετήστε τα μαλακά μέρη στο παιδικό κάθισμα και περάστε τους ιμάντες ώμων από επάνω.

Αγκιστρώστε τους δύο πλαστικούς γάντζους στις σχισμές του καλύμματος του προσκέφαλου.

Περάστε την πόρπη και μαξιλαράκι καβάλου από τα ανοίγματα στο κάτω μέρος των μαλακών μερών.

Σιγουρευτείτε πως το παιδί σας είναι πάντα σωστά ασφαλισμένο.





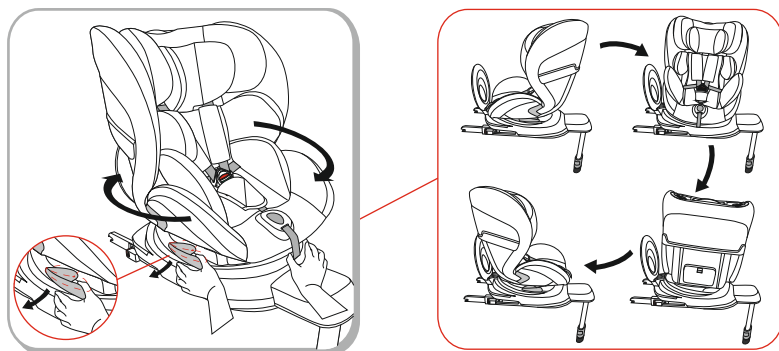
## 5.0. Αλλάζοντας την φορά ταξιδιού

Αυτό το παιδικό κάθισμα αυτοκινήτου μπορεί να περιστραφεί κατά 360° και μπορεί να χρησιμοποιηθεί:

Με φορά εμπρός: Ύψος παιδιού 76cm-105cm/ Βάρος παιδιού ≤22kg;

Με φορά πίσω: Ύψος παιδιού 40cm-87cm/ Βάρος παιδιού ≤22kg;

Για να αλλάξετε την κατεύθυνση ταξιδιού, πατήστε το κουμπί περιστροφής και περιστρέψτε το σώμα του καθίσματος στην επιθυμητή κατεύθυνση έως ότου κλειδώσει.



**Σημαντικό!** Πριν ξεκινήσετε το ταξίδι, σιγουρευτείτε πως το περιστρεφόμενο μέρος του παιδικού καθίσματος είναι πλήρως ασφαλισμένο, προσπαθώντας να το περιστρέψετε προς όλες τις κατευθύνσεις.

**Σημαντικό!** Δεν επιτρέπεται να τοποθετούνται αντικείμενα κάτω από το σκέλος στήριξης. Για πληροφορίες σχετικά με τους χώρους αποθήκευσης στην περιοχή των ποδιών συμβουλευτείτε τον κατασκευαστή του οχήματός σας. Μην χρησιμοποιείτε το παιδικό κάθισμα με φορά προς εμπρός αν το παιδί σας είναι κάτω από 76 cm / 15 μηνών.

**Σημαντικό!** Το παιδικό κάθισμα θα πρέπει να βρίσκεται σε θέση με φορά εμπρός ή πίσω κατά τη διάρκεια του ταξιδιού.

## 5.1. ΕΓΚΑΤΑΣΤΑΣΗ ΤΟΥ ΠΑΙΔΙΚΟΥ ΚΑΘΙΣΜΑΤΟΣ

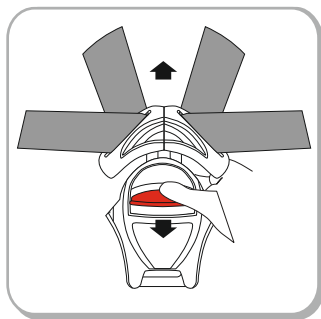
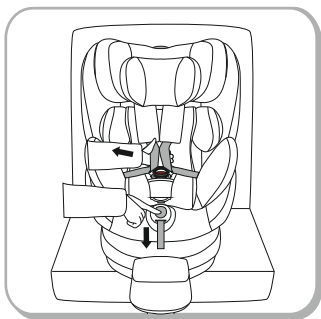
Αναδιπλώστε και τραβήξτε το σκέλος στήριξης από την βάση του παιδικού καθίσματος έως ότου κλειδώσει στη θέση του. Τοποθετήστε το παιδικό κάθισμα με φορά προς εμπρός σε ένα κάθισμα αυτοκινήτου. Συμβουλευτείτε τα πεδία 4.7, 4.8, 4.9, 5.0 για την εγκατάσταση.

## 5.2. Ασφαλίστε το παιδί σας στο παιδικό κάθισμα

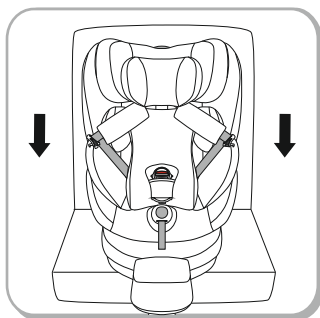
Φορά εμπρός: Ύψος παιδιού 76cm-105cm/ Βάρος παιδιού  $\leq 22$ kg;  
Θέση ανάκλισης, Θέση 1, Θέση 2, Θέση 3

GR

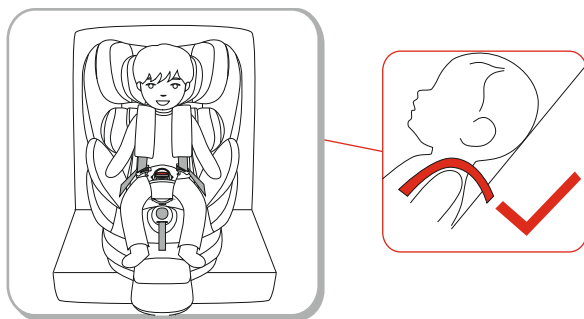
1. Πιέστε το κουμπί ρύθμισης μιάντα και ταυτόχρονα τραβήξτε τους μιάντες ώμου στο σωστό μήκος.
2. Πιέστε το κόκκινο κουμπί για να απασφαλίσετε την πόρπη.



3. Στερεώστε τα δύο μεταλλικά μέρη του συνδέσμου της πόρπης στις δύο πλευρές του παιδικού καθίσματος.

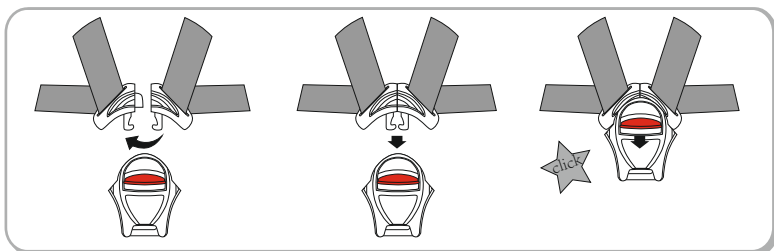


4. Τοποθετήστε το παιδί στο παιδικό κάθισμα και περάστε και τα δύο χέρια από τις ζώνες. Τοποθετήστε τις ζώνες στο ύψος ή λίγο κάτω από τους ώμους του παιδιού. Αφού καθήσει το παιδί, επανελέγξτε αν οι μιάντες ώμου βρίσκονται στο σωστό ύψος.



Ελέγξτε και ρυθμίστε τους ιμάντες ώμου και το προσκέφαλο στη σωστή θέση ανάλογα με το ύψος του παιδιού.

5. Ασφαλίστε την πόρπη και τοποθετήστε τα 2 μεταλλικά τμήματα του συνδέσμου μαζί. Εισάγετε τους δύο συνδέσμους στην εισαγωγή της πόρπης έως ότου κουμπώσουν και ακουστεί «κλικ».

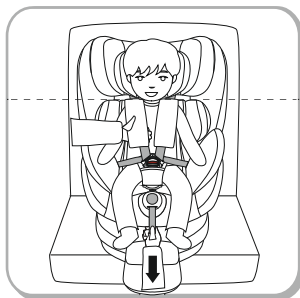


Ελέγξτε ότι η ζώνη δεν έχει αναστραφεί και το κάλυμα δεν εμποδίζει την κίνηση ή την εφαρμογή της ζώνης ασφαλείας με κάποιον τρόπο.

6. Τραβήξτε τον ιμάντα ρύθμισης και ρυθμίστε στο κατάλληλο μήκος για να σιγουρευτείτε πως το παιδί είναι ασφαλισμένο σε βολική θέση.



7. Σιγουρευτείτε πως η απόσταση μεταξύ του παιδιού και των ιμάντων ώμου είναι περίπου ίσο με το πάχος μιας παλάμης.



Ρυθμίστε το παιδικό κάθισμα στην επιθυμητή θέση ανάκλισης για να είναι αναπαυτικό για το παιδί.

Σημαντικό! Μην χρησιμοποιήσετε το παιδικό κάθισμα με φορά εμπρός αν το παιδί σας είναι λιγότερο από 76 cm ύψος ή μικρότερο των 15 μηνών.

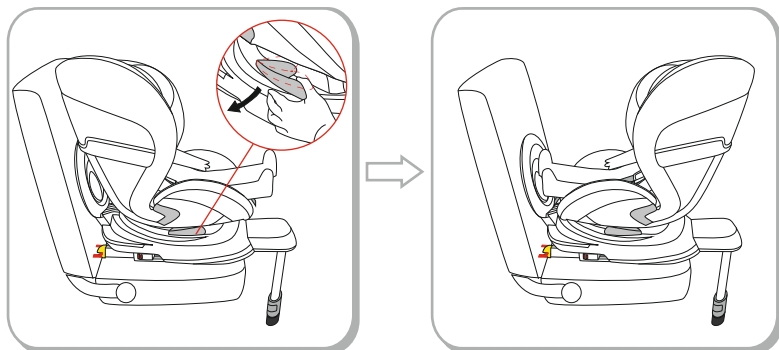
Για την αφαίρεση του παιδιού από το παιδικό κάθισμα, επαναλάβετε τις παραπάνω διαδικασίες με αντίστροφη σειρά.

### 5.3. Ασφαλίζοντας το παιδί στο παιδικό κάθισμα

Φορά προς τα πίσω: Ύψος παιδιού 40cm-87cm / Βάρος παιδιού  $\leq 22\text{kg}$

Θέση ανάκλισης: Με φορά προς τα πίσω

Αν επιθυμείτε το παιδικό κάθισμα να έχει φορά προς τα πίσω, πιέστε το κουμπί περιστροφής και περιστρέψτε το σώμα του καθίσματος, ταυτόχρονα, τραβήξτε τον μοχλό ρύθμισης κλίσης κάτω από το μπροστινό μέρος του καθίσματος στην μέγιστη θέση ανάκλισης. Αφήστε τον μοχλό ρύθμισης κλίσης στην οπίσθια θέση και σπρώξτε έως ότου ακουστεί «κλικ». Τώρα το παιδικό κάθισμα είναι κλειδωμένο στην θέση με φορά προς τα πίσω.



Βεβαιωθείτε ότι το παιδικό κάθισμα έχει κλειδωθεί με ασφάλεια στην επιθυμητή θέση τραβώντας ή πιέζοντας το σώμα του καθίσματος.

**Σημαντικό!** Πριν κάνετε οποιοδήποτε ταξίδι, βεβαιωθείτε ότι το περιστρεφόμενο τμήμα του παιδικού καθίσματος έχει εμπλακεί πλήρως προσπαθώντας να περιστρέψετε το παιδικό κάθισμα και στις δύο κατευθύνσεις.

**ΠΡΟΕΙΔΟΠΟΙΗΣΗ:** ΜΗΝ χρησιμοποιείτε το παιδικό κάθισμα με φορά προς τα πίσω σε θέσεις καθισμάτων όπου υπάρχει ενεργοποιημένος μετωπικός αερόσακος. Θάνατος ή σοβαρός τραυματισμός μπορεί να συμβεί.

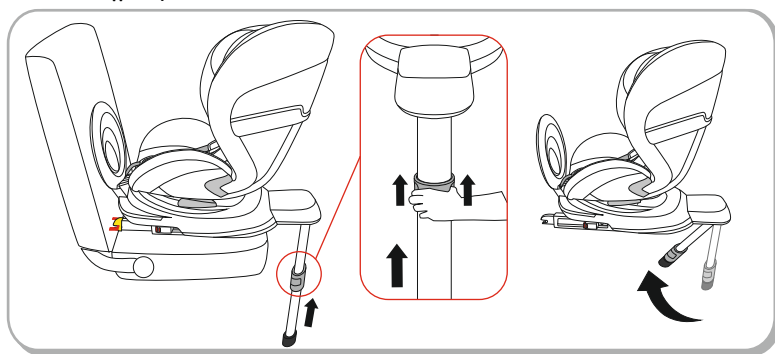
#### 5.4. Τοποθέτηση του παιδιού / Απομάκρυνση του παιδιού

1. Ρυθμίστε τη λαβή περιστροφής στην πλευρά της βάσης, περιστρέφοντας το σώμα του καθίσματος κατά 90° προς την πόρτα του οχήματος ταυτόχρονα.
2. Τώρα μπορείτε να τοποθετήσετε το παιδί σας ή να το βγάλετε εύκολα.
3. Ασφαλίστε το παιδί σας στο κάθισμα
4. Περιστρέψτε ξανά το σώμα του καθίσματος κατά 90° έτσι ώστε να βλέπει προς τα εμπρός ή προς τα πίσω, ανάλογα με την ηλικία του παιδιού σας, έως ότου κουμπώσει με ήχο κλικ.

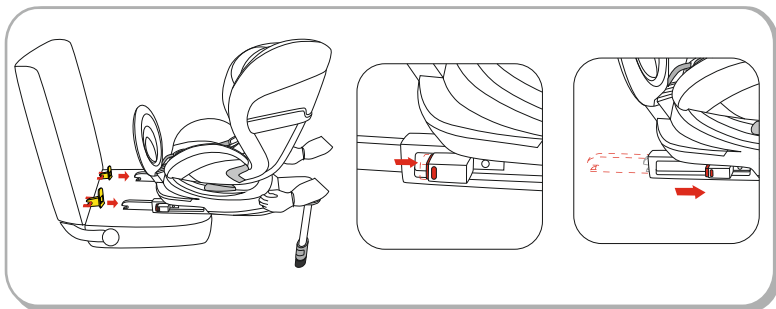
**Σημαντικό!** Πριν από κάθε ταξίδι, βεβαιωθείτε ότι το περιστρεφόμενο σώμα του καθίσματος είναι πλήρως ασφαλισμένο.

#### 5.5. Αφαίρεση του παιδικού καθίσματος

1. Κρατήστε και σπρώξτε τη λαβή ρύθμισης του σκέλους στήριξης και σύρετε το κατώτερο τμήμα μέσα στο ανώτερο τμήμα του σκέλους στήριξης μέχρι να αποθηκευτεί πλήρως.



2. Ελευθερώστε του συνδέσμους ISOFIX και στις δύο πλευρές, πιέζοντας το κουμπί απεμπλοκής ISOFIX ταυτόχρονα, μετακινήστε τους συνδέσμους ISOFIX πίσω στη βάση του καθίσματος.



Οι σύνδεσμοι ISOFIX προστατεύονται από ζημιές όταν ωθούνται πίσω στο πλαίσιο ISOFIX της βάσης.

**Σημαντικό!** Το παιδικό κάθισμα πρέπει πάντα να ασφαλιζεται όταν βρίσκεται μέσα στο όχημα, ακόμα και αν δεν μεταφέρεται κανένα παιδί.

## 5.6. Συντήρηση και καθαρισμός

### 5.6.1. Καθημερινή συντήρηση

1. Σε καθημερινή χρήση, ελέγχετε περιοδικά το παιδικό κάθισμα. Το παιδικό κάθισμα θα πρέπει να αντικατασταθεί μετά από ατύχημα.
2. Κρατήστε αυτό το παιδικό κάθισμα σε ξηρό και αεριζόμενο μέρος για να αποφύγετε την υγρασία.
3. Αν το παιδικό κάθισμα σκονιστεί, καθαρίστε τη ζώνη ασφαλείας και τα πλαστικά τεμάχια με ένα υγρό σφουγγάρι και αφήστε το να στεγνώσει.
4. Αν τρόφιμα ή ποτά πέσουν κατά λάθος στην πόρπη, αποσυναρμολογήστε τη ζώνη ασφαλείας από το ενισχυμένο παιδικό κάθισμα και ξεπλύνετε απαλά με ζεστό νερό. Αφήστε το να στεγνώσει.
5. Για τον καθαρισμό ολόκληρου του υφασμάτινου καλύμματος του παιδικού καθίσματος, ανατρέξτε στις οδηγίες πλυσίματος 5.6.2.

### 5.6.2. Οδηγίες πλυσίματος

Ποτέ μην χρησιμοποιείτε διαλύτη, χημικό απορρυπαντικό ή λιπαντικό σε οποιοδήποτε μέρος του παιδικού σας καθίσματος.



Πλύσιμο στο χέρι, θερμοκρασία νερού κάτω από 30°C



Μην χρησιμοποιείτε χλωρίνη



Ξηρό καθαρίσμα με οποιοδήποτε διάλυτη εκτός από τριχλωροαιθυλένιο.



Μην το βάζετε σε στεγνωτήριο



Μην σιδερώσετε

A large, vertically oriented rounded rectangle with a solid blue border. The interior of the rectangle is filled with horizontal dashed lines, providing a guide for writing notes. The lines are evenly spaced and extend across the width of the box.

**THANK YOU / ΕΥΧΑΡΙΣΤΟΥΜΕ**

## **Customer service / Εξυπηρέτηση πελατών**

If you experience a problem with this product or require assistance  
please contact our local sales agent or  
contact our customer service department.

Αν αντιμετωπίζετε κάποιο πρόβλημα με το προϊόν ή χρειάζεστε βοήθεια  
παρακαλώ επικοινωνήστε με τον τοπικό αντιπρόσωπό μας ή  
με το τμήμα εξυπηρέτησης πελατών μας.

**Thank you for choosing Bebe Stars products**

**Ευχαριστούμε για την προτίμηση σας  
στα παιδικά προϊόντα Bebe Stars**



**63200, NEA MOUDANIA, GREECE  
[www.bebestars.gr](http://www.bebestars.gr)**